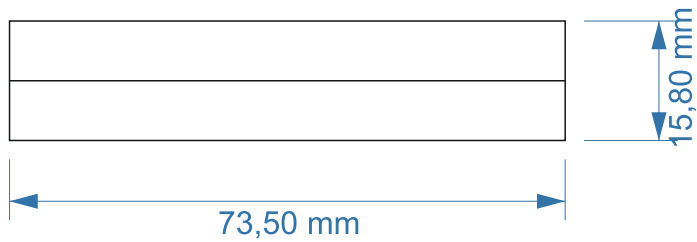
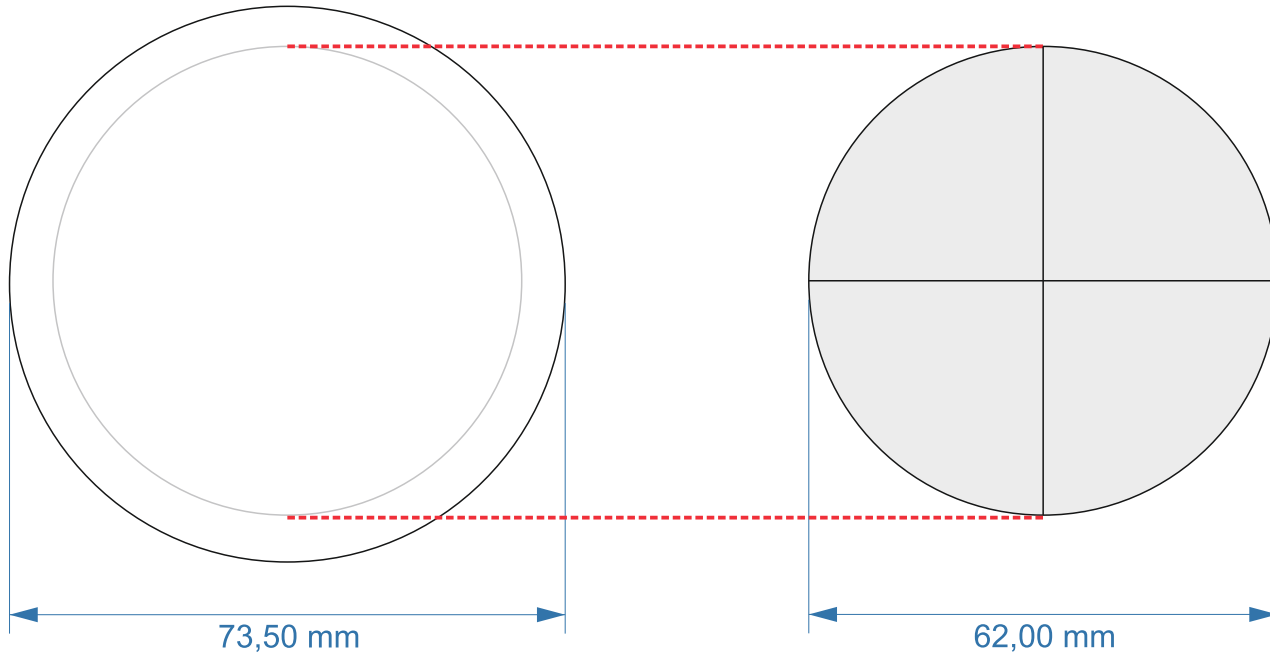


powder



printing area silkscreen and hot stamping